

PLEASE CHECK WWW.MOLEX.COM FOR LATEST PART INFORMATION

Part Number: [0006023104](#)
Status: **Active**
Overview: [flat blade](#)
Description: Flat Blade Appliance Dryer Motor Crimp Housing, 10 Circuit

Documents:

[3D Model](#) [Product Specification PS-43374-001 \(PDF\)](#)
[Drawing \(PDF\)](#) [RoHS Certificate of Compliance \(PDF\)](#)

Agency Certification

CSA LR19980
 UL E29179

General

Product Family Crimp Housings
 Series [42865](#)
 Overview [flat blade](#)
 Product Name Flat Blade

Physical

Circuits (maximum) 10
 Color - Resin Natural
 Flammability 94V-2
 Gender Female
 Glow-Wire Compliant No
 Keying to Mating Part Yes
 Lock to Mating Part Yes
 Material - Resin Nylon
 Number of Rows 1
 Packaging Type Bag
 Panel Mount No
 Pitch - Mating Interface (in) 0.228 In
 Pitch - Mating Interface (mm) 5.80 mm
 Pitch - Term. Interface (in) 0.228 In
 Pitch - Term. Interface (mm) 5.80 mm
 Polarized to Mating Part Yes
 Stackable No
 Temperature Range - Operating -40°C to +75°C

Material Info

Old Part Number 42865-0001

Reference - Drawing Numbers

Packaging Specification PK-42865-001
 Product Specification PS-43374-001
 Sales Drawing SD-42865-0001

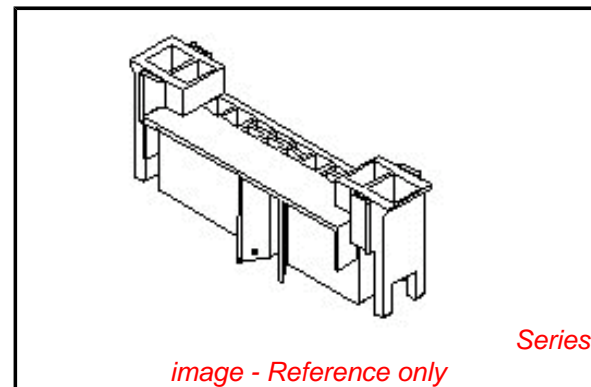


image - Reference only

EU RoHS

**ELV and RoHS
 Compliant**
**REACH SVHC
 Contains SVHC: No**
**Halogen-Free
 Status
 Not Reviewed**

China RoHS



**Need more information on product
 environmental compliance?**

Email productcompliance@molex.com
 For a multiple part number RoHS Certificate of
 Compliance, [click here](#)

Please visit the [Contact Us](#) section for any
 non-product compliance questions.

Search Parts in this Series

[42865Series](#)

Mates With

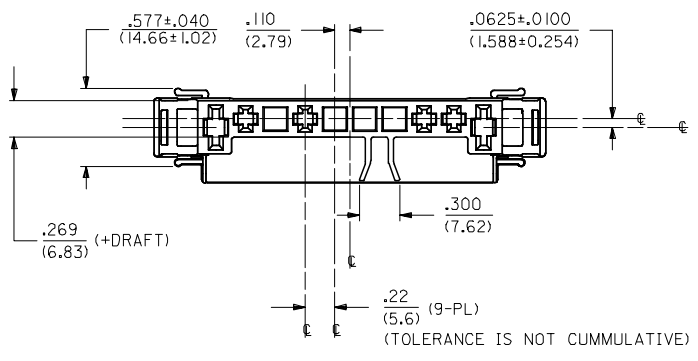
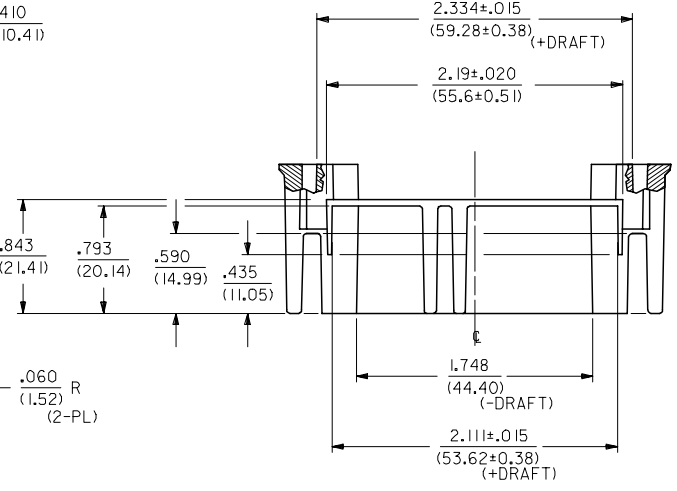
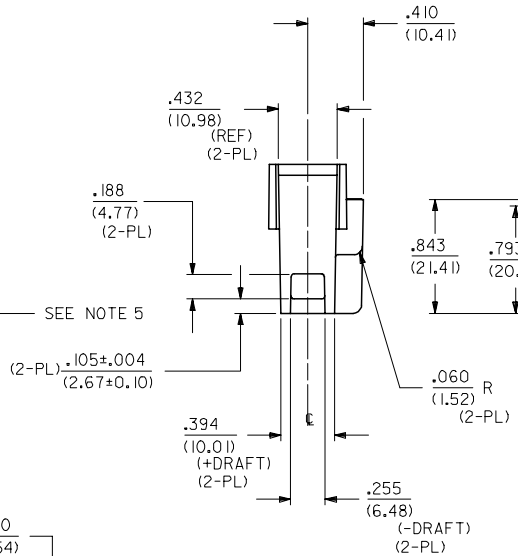
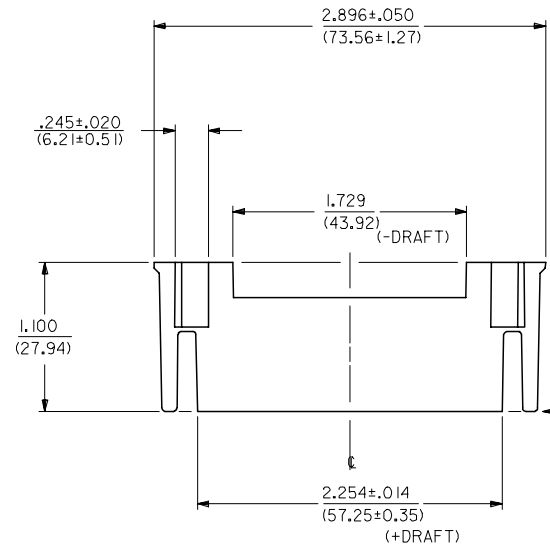
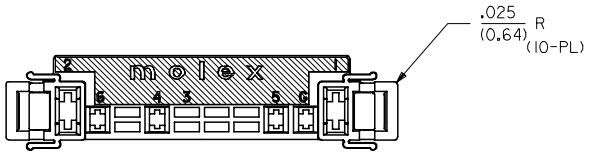
Dryer Motor

Use With

[1508 Crimp Terminals](#), [43374](#), [41422](#)

NOTES

1. MATERIAL: NYLON 6/6, 94V-2. COLOR: NATURAL (WHITE/TRANSLUCENT) PER SMES-128-A.
2. FINISH: NONE.
3. PRODUCT SPECS: PSX-42865-0001, PSX-42865-0002 & PS-43374-0001 APPLY.
4. PACKAGING SPECS: HOUSINGS ARE PACKED ACCORDING TO PK-42865-001.
5. THE OUTSIDE EDGES ASSOCIATED WITH THIS SURFACE TO HAVE .02/(0.51) RADII.
6. 42865-0001 CONNECTOR HOUSING IS FOR USE WITH TERMINALS:
 - .125/(3.18) SPADE: I508-* & 43374-***I (4-PL MAX)
 - .250/(6.35) SPADE: 41422-3***5** (2-PL MAX)
7. 42865-0002 CONNECTOR HOUSING IS FOR USE WITH TERMINALS:
 - .125/(3.18) SPADE: I508-* & 43374-***I (5-PL MAX)
 - .250/(6.35) SPADE: 41422-3***5** (2-PL MAX)
8. PART CONFORMS TO CLASS B REQUIREMENTS OF COSMETIC SPECS PS-45499-002.



42865-0001	006-02-3104
ENG. NO.	PART NO.

ADD NOTES 2.47&8 EC NO: UCP2007-1658 DRW: AELHAG CHKD: 2007/03/19 APPR: FSM TH	QUALITY SYMBOLS
	$\nabla=0$ $\nabla=0$
	DESCRIPTION
	REV

GENERAL TOLERANCES (UNLESS SPECIFIED)															
<table border="1"> <tr> <th></th> <th>mm</th> <th>INCH</th> </tr> <tr> <td>4 PLACES</td> <td>± .010</td> <td>± .0004</td> </tr> <tr> <td>3 PLACES</td> <td>± .014</td> <td>± .0005</td> </tr> <tr> <td>2 PLACES</td> <td>± 0.25</td> <td>± .010</td> </tr> <tr> <td>1 PLACE</td> <td>± 0.35</td> <td>± .014</td> </tr> </table>		mm	INCH	4 PLACES	± .010	± .0004	3 PLACES	± .014	± .0005	2 PLACES	± 0.25	± .010	1 PLACE	± 0.35	± .014
	mm	INCH													
4 PLACES	± .010	± .0004													
3 PLACES	± .014	± .0005													
2 PLACES	± 0.25	± .010													
1 PLACE	± 0.35	± .014													
ANGULAR ±1/2°															
DRAFT WHERE APPLICABLE MUST REMAIN WITHIN DIMENSIONS															

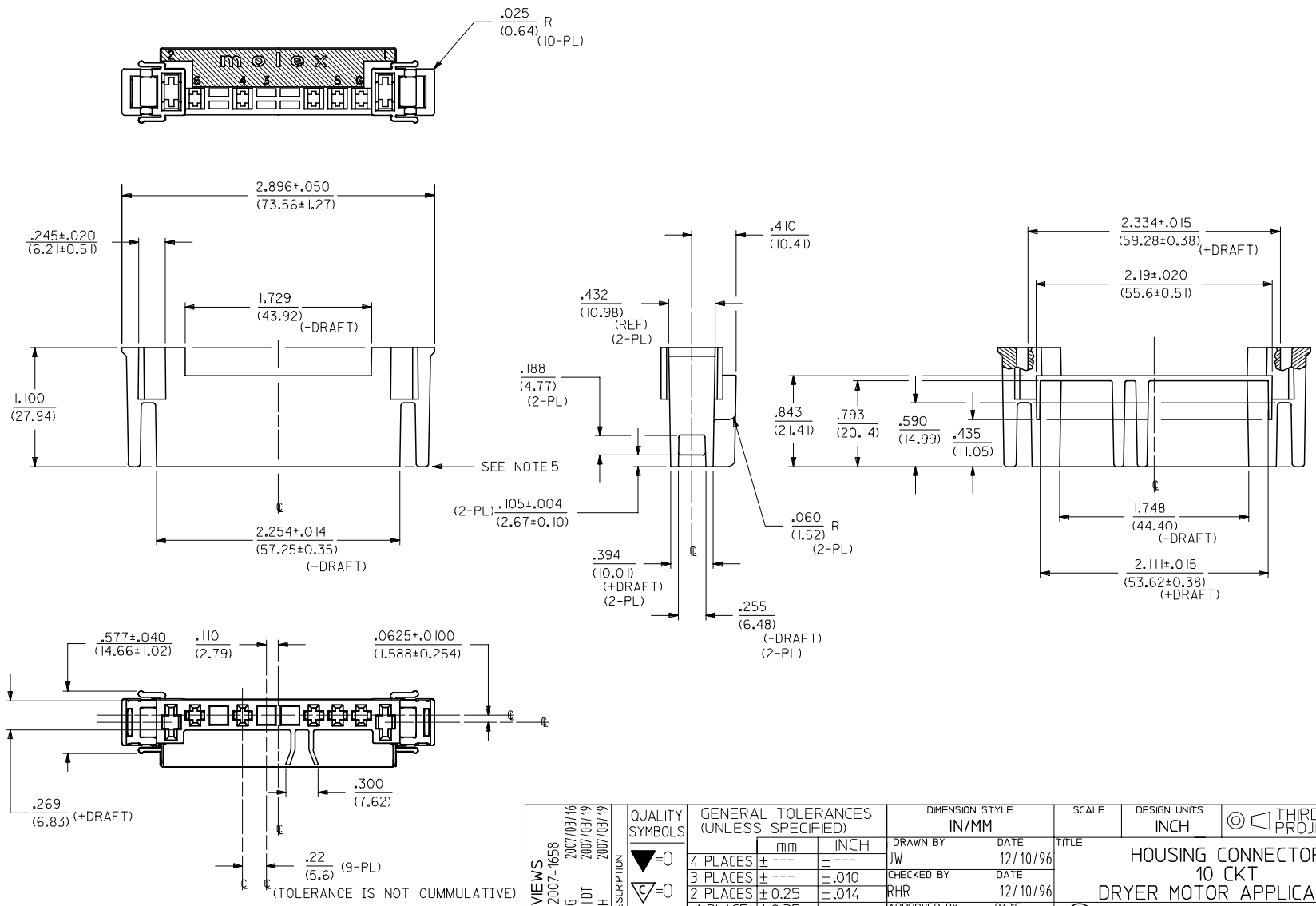
DRAWN BY	DATE
KBP	10/17/1991
CHECKED BY	DATE
KBP	10/17/1991
APPROVED BY	DATE
RAS	10/17/1991
MATERIAL NO.	DOCUMENT NO.
SEE CHART	SD-42865-0001

SCALE 1:1	DESIGN UNITS INCH	THIRD ANGLE PROJECTION
HOUSING, CONNECTOR 10 - CIRCUITS DRYER MOTOR APPLICATION		
MOLEX INCORPORATED		
SHEET NO. 1 OF 2		

13 12 11 10 9 8 7 6 5 4 3 2 1

J
I
H
G
F
E
D
C
B
A

J
I
H
G
F
E
D
C
B
A



42865-0002	006-02-3105
ENG. NO.	PART NO.

UPDATE VIEWS	DESCRIPTION
EC NO: UCP2007-1658	2007/03/16
DRW: AELHAG	2007/03/19
CHKD: LSJHMDT	2007/03/19
APPR: FSM TH	2007/03/19

QUALITY SYMBOLS	GENERAL TOLERANCES (UNLESS SPECIFIED)
▽=0	
▽=0	
	mm INCH
	4 PLACES ± --- ± ---
	3 PLACES ± --- ± .010
	2 PLACES ± 0.25 ± .014
	1 PLACE ± 0.35 ± ---
	ANGULAR ±1/2°
	DRAFT WHERE APPLICABLE MUST REMAIN WITHIN DIMENSIONS

DIMENSION STYLE	SCALE
IN/MM	DESIGN UNITS INCH
DRAWN BY	DATE
JW	12/10/96
CHECKED BY	DATE
RHR	12/10/96
APPROVED BY	DATE
RE	12/10/96
MATERIAL NO.	DOCUMENT NO.
SEE CHART	SD-42865-0001

THIRD ANGLE PROJECTION	HOUSING CONNECTOR
	10 CKT
	DRYER MOTOR APPLICATION
	MOLEX INCORPORATED
	SHEET NO. 2 OF 2

12 11 10 9 8 7 6 5 4 3 2 1